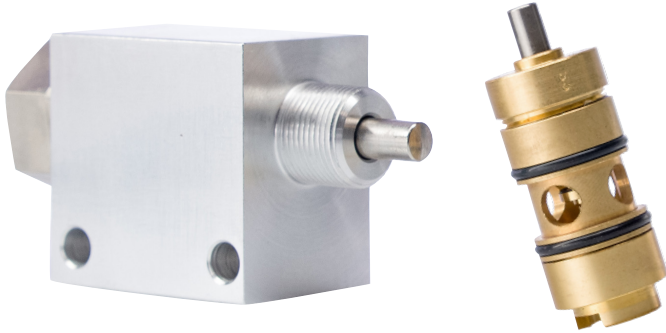


Clippard

GV SERIES HIGH FLOW POPPET VALVES Stem & Cartridge Styles



Clippard is known as the pioneer of miniature pneumatic products. The MAV series poppet valves were introduced in 1958 and were known for their bubble tight design with large flow for their small #10-32 threaded ports.

Clippard's GV series valves offer the same characteristics of its original line with flow 10 times more than the MAV series and 2.5 times the flow of the MJV series. These 2-way and 3-way valves are offered in 1/4" NPT ports along with a cartridge mounted version. With Clippard's versatile 15/32-32 nose thread, a large variety of buttons and valve actuators can be used with the GV stem operated valves.

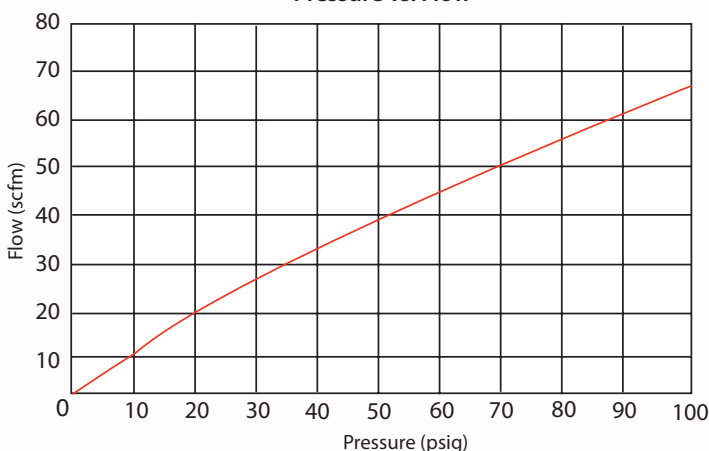
Medium	2-Way: Air, Water or Oil; 3-Way: Air
Valve Function	2-Way or 3-Way Normally-Closed
Flow	38 scfm @ 50 psig; 67 scfm @ 100 psig
Operating Pressure	150 psig max.
Material, Seals	Nitrile, FKM optional
Material, Stem	Stainless Steel
Material, Wetted	ENP Brass and Anodized Aluminum
Porting	1/4" NPT or G1/4
Operating Temperature	32° to 230°F (0 to 110°C)
Force for Full Stem Travel	2 lbs. nominal, 9 lbs. @ 100 psig
Stem Travel	1/8"
Mounting (Cartridge)	Inserts into a 0.687" bore
More Details	clippard.com/link/gv-tds

- Will accept a variety of manual, air pilot, electrical or mechanical actuators
- Small, compact size, lightweight
- Design flexibility and fast response
- Electroless nickel plated brass and anodized aluminum construction for long life and corrosion resistance
- Stainless steel stems and springs for corrosion resistance

ORDERING INFORMATION

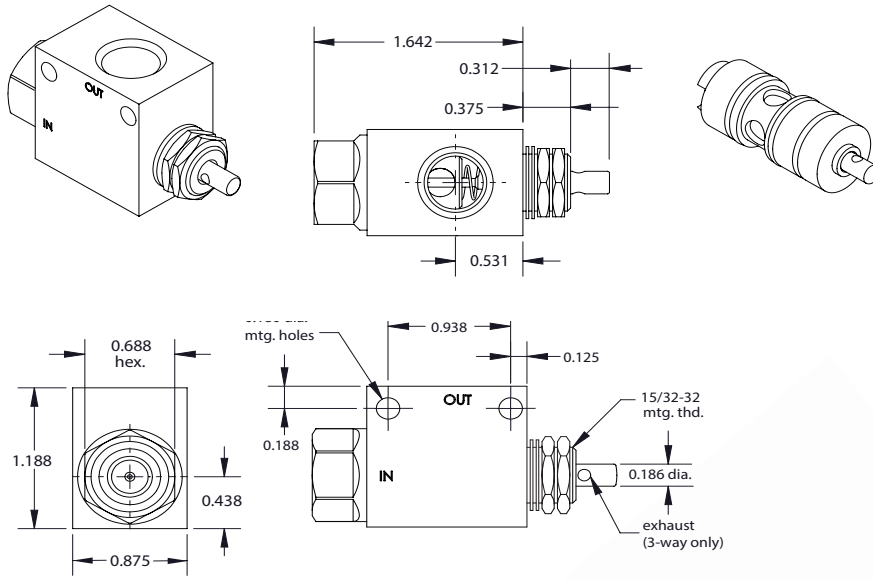
Part No.	Function	Porting
GV-2C	2-Way	Cartridge
GV-2	2-Way	1/4" NPT Female
GV-3C	3-Way	Cartridge
GV-3	3-Way	1/4" NPT Female

Pressure vs. Flow

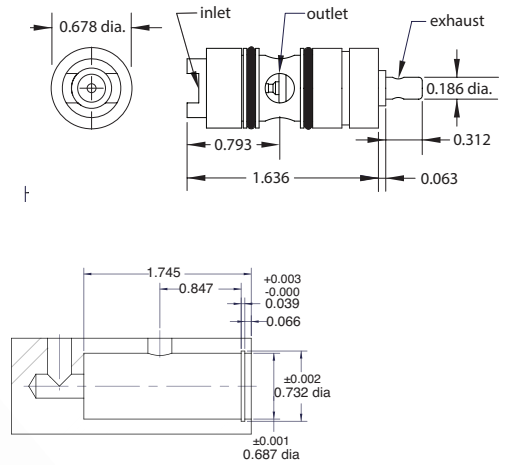


Stem & Cartridge Styles

GV-2 & GV-3



GV-2C & GV-3C



Single-Acting, Spring Return Air Pilot Actuators

Clippard's MPA Series are ideal actuators for the GV valves offering numerous threads, bore sizes and force factors.

- Input Pressure: 250 psig
- Constructed of brass, stainless steel, nitrile rubber and Acetal
- Mounting via 15/32-32 female thread

ORDERING INFORMATION

Part No.	Thread	Bore Size	Min. Pilot Pressure*
MPA-3	#10-32	0.375"	100 psig
MPA-3P	1/8" NPT	0.375"	100 psig
MPA-5	#10-32	0.625"	40 psig
MPA-5P	1/8" NPT	0.625"	40 psig
MPA-7	1/8" NPT	0.875"	25 psig
MPA-10P	#10-32	1.250"	15 psig

* with 100 psig to valve inlet

Professionally Distributed by:

877-245-6247 | clippard.com

CLIPPARD INSTRUMENT LABORATORY, INC. • ISO 9001 • TDS 7.2.13 Rev. 2
For warranty and disclaimer information, visit clippard.com/warranty